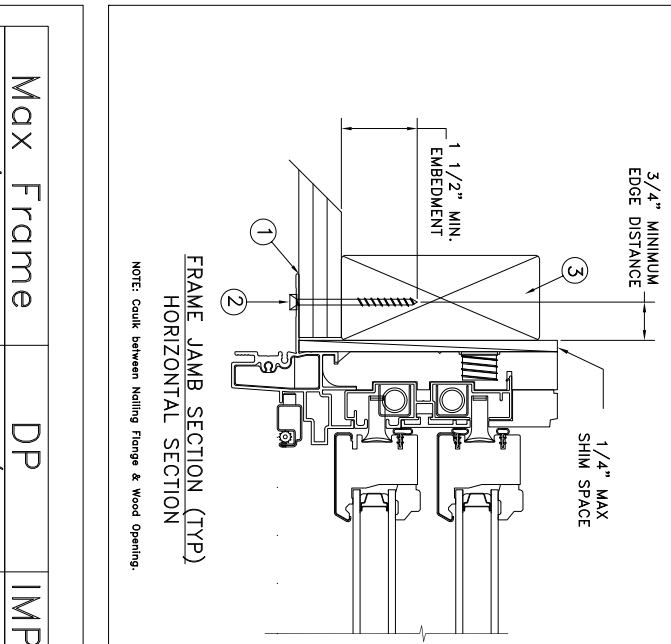
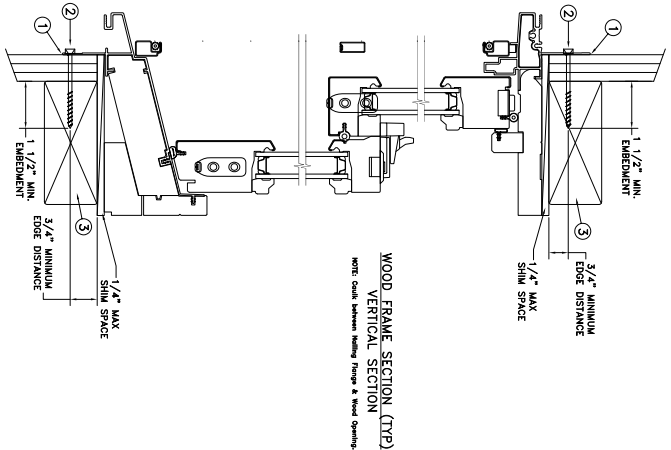


TYPICAL ELEVATION WITH FASTENER SPACING



NAIL FIN INSTALLATION

- Installation Notes:**
1. Seal flange/frame to substrate.
  2. Use #8 PH or greater fastener through the nailfin on all sides with sufficient length to penetrate a minimum of 1 1/2" into the wood framing. For 2x wood frame substrate (min. S.G. = 0.42)
  3. Host structure (wood buck, masonry, steel) to be designed and anchored to properly transfer all loads to the structure. The host structure is the responsibility of the architect or engineer of record for the project of installation.

- General Notes:**
1. The product shown herein is designed, tested and manufactured to comply with the wind load criteria of the adopted International Building Code (IBC), the International Residential Code (IRC), the Florida Building Code (FBC) and the industry requirement for the stated conditions.
  2. All glazing shall conform to ASTM E1300.
  3. At minimum, glazing shall be double strength annealed insulating glass.
  4. Use structural or composite shims where required.

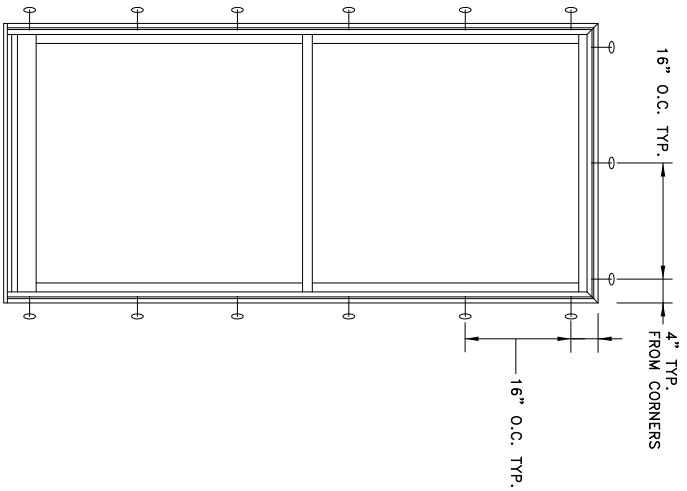
Max Frame	DP	IMPACT
41 3/8 x 88	+35 / -40	NO

This schedule addresses only the fasteners required to anchor the window to achieve the rated design pressure and impact performance (where applicable) up to the size limitations noted. It is not intended as a guide to the installation process and does not address he sealing consideration that may arise in different wall conditions. For the complete installation procedure, see the instructions packaged with the window or go to [www.jeld-wen.com/resources/installation](http://www.jeld-wen.com/resources/installation).

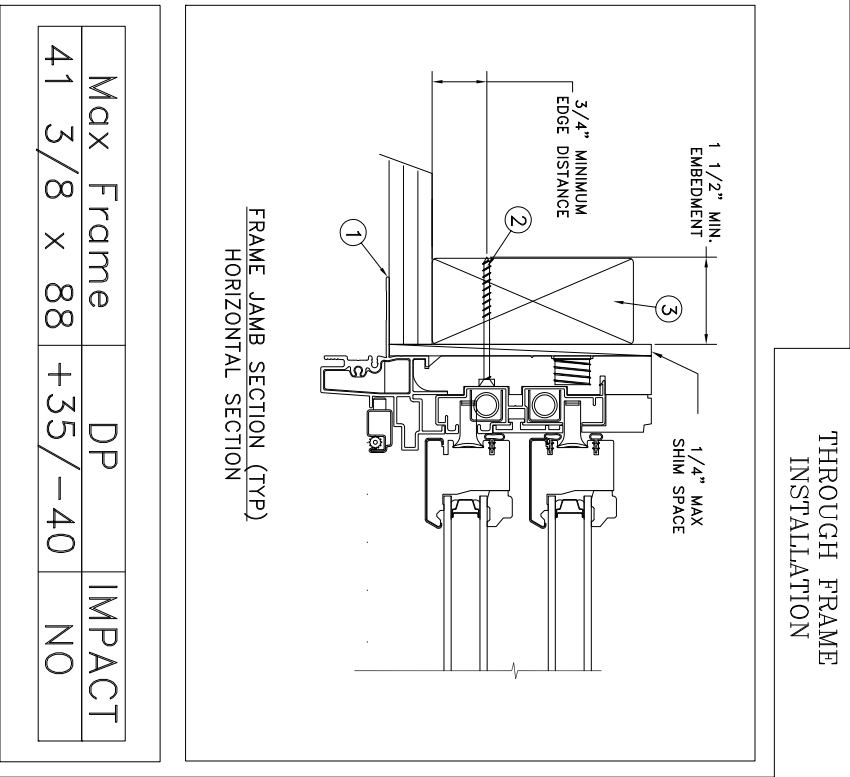
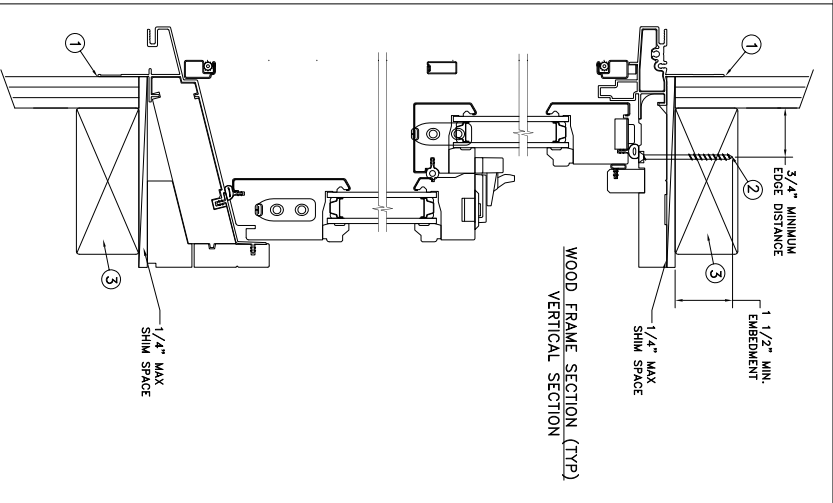
**DISCLAIMER:**  
This drawing and its contents are confidential and are not to be reproduced or copied in whole or in part or used or disclosed to others except as authorized by JELD-WEN Inc.

PROJECT ENGINEER:	DATE:	08/01/2017
DRAWN BY:	SCALE:	NTS
CHECKED BY:	TITLE:	Custom Clad Double Hung
APPROVED BY:		
D.STOKES		
PART/PROJECT No.:	PLANT NAME AND LOCATION:	
D004166	H0418.07-301-47-R0 Bend-OR	
IDENTIFIER No.:	CAID DWG. No.:	
	Cust/CLDH Gert	
	REV:	A
	SHEET	

3737 LAKEPORT BLVD.  
KIAMATH FALLS OR, 97601  
PHONE: (800) 535-3936



TYPICAL ELEVATION WITH FASTENER SPACING



Max Frame	DP	IMPACT
41 3/8 x 88	+35 / -40	NO

FRAME JAMB SECTION (TYP)  
HORIZONTAL SECTION

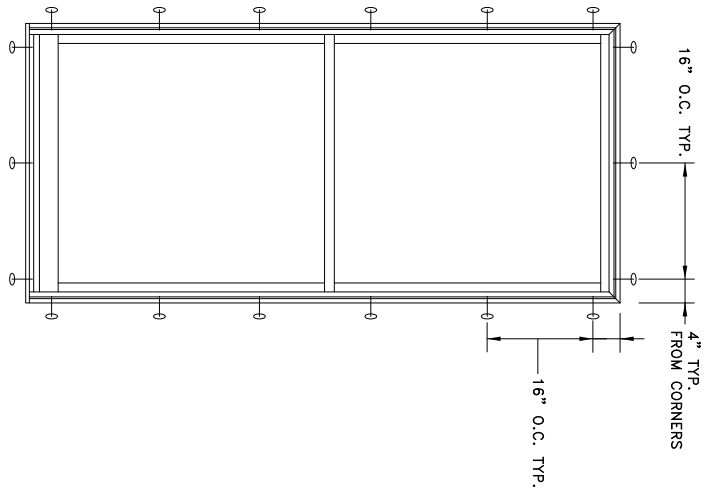
- Installation Notes:**
1. Seal flange/frame to substrate.
  2. Use #8 PH or greater fastener through the frame with sufficient length to penetrate a minimum of 1 1/2" into the wood framing. For 2x wood frame substrate (min. S.G. = 0.42)
  3. Host structure (wood buck, masonry, steel) to be designed and anchored to properly transfer all loads to the structure. The host structure is the responsibility of the architect or engineer of record for the project of installation.

- General Notes:**
1. The product shown herein is designed, tested and manufactured to comply with the wind load criteria of the adopted International Building Code (IBC), the International Residential Code (IRC), the Florida Building Code (FBC) and the industry requirement for the stated conditions.
  2. All glazing shall conform to ASTM E1300.
  3. At minimum, glazing shall be double strength annealed insulating glass.
  4. Use structural or composite shims where required.

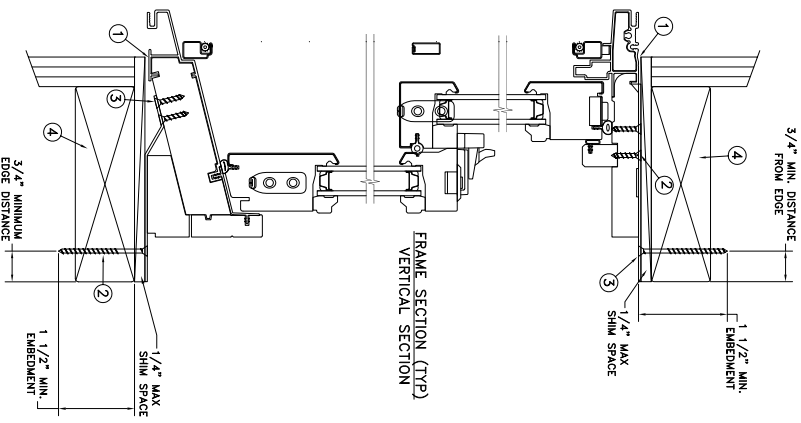
This schedule addresses only the fasteners required to anchor the window to achieve the rated design pressure and impact performance (where applicable) up to the size limitations noted. It is not intended as a guide to the installation process and does not address he sealing consideration that may arise in different wall conditions. For the complete installation procedure, see the instructions packaged with the window or go to [www.jeld-wen.com/resources/installation](http://www.jeld-wen.com/resources/installation).

**DISCLAIMER:**  
This drawing and its contents are confidential and are not to be reproduced or copied in whole or in part or used or disclosed to others except as authorized by JELD-WEN Inc.

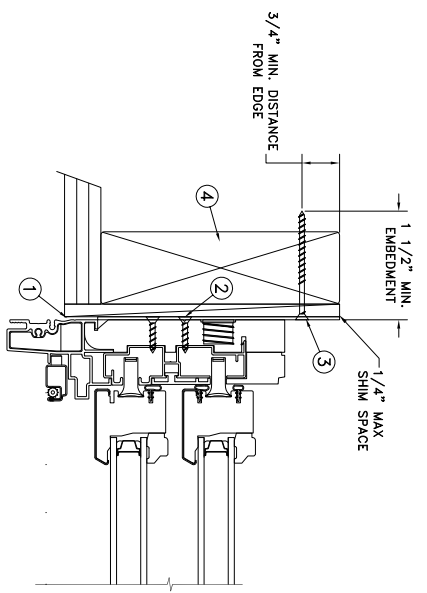
PROJECT ENGINEER:	DATE:	08/01/2017
DRAWN BY:	SCALE:	NTS
CHECKED BY:	TITLE:	Custom Clad Double Hung
APPROVED BY:	PLANT NAME AND LOCATION:	Bend-OR
PART/PROJECT No.:	CAID DWG. No.:	Cust/CLDH Gert
D004166	REV:	A
IDENTIFIER No.:	3737 LAKEPORT BLVD.	SHEET
H0418.07-301-47-R0	KLAMATH FALLS OR, 97601	
	PHONE: (800) 535-3936	



TYPICAL ELEVATION WITH FASTENER SPACING



FRAME SECTION (TYP)  
VERTICAL SECTION



MASONRY STRAP  
INSTALLATION

FRAME JAMB SECTION (TYP)  
HORIZONTAL SECTION

Max	Frame	DP	IMPACT
41	3/8 x 88	+35 / -40	NO

**General Notes:**

1. The product shown herein is designed, tested and manufactured to comply with the wind load criteria of the adopted International Building Code (IBC), the International Residential Code (IRC), the Florida Building Code (FBC) and the Industry requirement for the stated conditions.
2. All glazing shall conform to ASTM E1300.
3. At minimum, glazing shall be double strength annealed insulating glass.
4. Use structural or composite shims where required.

**Installation Notes:**

1. Seal flange/frame to substrate.
2. Use 2-#8 PFH or larger fasteners through masonry strap with sufficient length to penetrate a minimum of 1 1/2" into the masonry or buck. For concrete (min. fc = 3000 psi) or masonry substrate (CMU shall adhere to ASTM C90).
3. Use 2-#8 PFH or larger fasteners through masonry strap into jamb without penetrating through the jamb into product causing visability or collateral damage to product.
4. Host structure (wood buck, masonry, steel) to be designed and anchored to properly transfer all loads to the structure. The host structure is the responsibility of the architect or engineer of record for the project of installation.

This schedule addresses only the fasteners required to anchor the window to achieve the rated design pressure and impact performance (where applicable) up to the size limitations noted. It is not intended as a guide to the installation process and does not address he sealing consideration that may arise in different wall conditions. For the complete installation procedure, see the instructions packaged with the window or go to [www.jeld-wen.com/resources/installation](http://www.jeld-wen.com/resources/installation).

**DISCLAIMER:**

This drawing and its contents are confidential and are not to be reproduced or copied in whole or in part or used or disclosed to others except as authorized by JELD-WEN Inc.

PROJECT ENGINEER:	DATE:	08/01/2017
DRAWN BY:	SCALE:	NTS
CHECKED BY:	TITLE:	Custom Clad Double Hung
APPROVED BY:		
PART/PROJECT No.:	PLANT NAME AND LOCATION:	Bend-OR
IDENTIFIER No.:	CAID DWG. No.:	CustCLDH G&T
	REV:	A
	SHEET	

**JELD-WEN**  
 3737 LAKEPORT BLVD,  
 KLAMATH FALLS OR, 97601  
 PHONE: (800) 535-3936